

TITAN

TITAN AF

Product catalogue:

TITAN AF timber 12 mm for secondary sash 16/7.

Window systems

Door systems

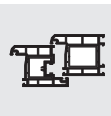
Comfort systems



Directory **Secondary sash 16/7**

TITAN AF

Overview	H45.TITA000S002EN-00	2
Notes	H45.TAFPH2S001EN-00	3
Hardware layout	H45.TAF0H2S001EN00	4
Corner drive AF VSO DF 16/7	H52.BG2_TEUL_082EN-00	5
Corner drive AF VSO/K+ DF 16/7	H52.BG2_TEUL_083EN-00	6
Corner drive AF VSU/K 56+ DF 16/7 1RS	H52.BG2_TEUL_084EN-00	7
Corner drive AF VSU/K 56+ DF 16/7 1S	H52.BG2_TEUL_085EN00	8
Application matrix secondary sash gear 16/7 GK	H45.TAFG00KS022EN00	9
Secondary sash gear 16/7 GK	H52.BG3_TGKS_019EN-00	11
Secondary sash gear 16/7 GM	H52.BG3_TGMS_012EN-00	13
Linkage KK/AF 16/7	H52.BG4_TZKS_006EN00	15
Linkage AF DF 16/7	H52.BG4_TZZS_009EN-00	16



Directives of the Trade Organisation for Locks and Fittings (Gütegemeinschaft Schlösser und Beschläge e. V.)

The directives of the Trade Organisation for Locks and Fittings provide comprehensive information on the correct operation and maintenance of hardware for windows and portal doors. Compliance with these guidelines is mandatory.

You can find the latest versions of the directives, in a range of languages, at:
<http://www.beschlagindustrie.de/ggsb/richtlinien.asp>



TBDK – Attachment of supporting fitting components for turn-only and tilt&turn fittings
with definitions for turn-only and tilt&turn fittings and their possible installation positions

VHBH – Hardware for windows and balcony doors
Guidelines/advice on the product and on liability

VHBE – Hardware for windows and balcony doors
Guidelines/advice for end-users

FPKF – Restrictor and cleaning stays for Tilt-Only sashes and Tilt-Only fanlights
Use of restrictor and cleaning stays

FBDF – Casement stoppers for variable rotational position of window leafs
Casement stoppers that are controlled via the central locking system - definitions and tests

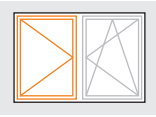
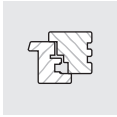
Further relevant documents

You can find further relevant documents, for example structural design charts, assembly instructions, profile spec sheets, individual component sheets, and maintenance, operating and care instructions, on our documentation pages:
<http://downloads.siegenia.com/>



Feedback on documentation

We welcome your comments and suggestions on how to improve our documentation. Please e-mail your comments to:
dokumentation@siegenia.com.

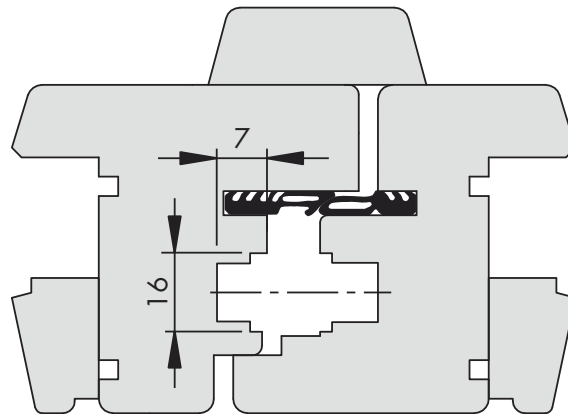


Notes timber 12 mm Secondary sash 16/7

TITAN AF

Secondary sash with opposed fitting groove DS 16/7

Airgap:	min. 12 mm, circumferential
Rebate width:	18/20 mm
Groove axis:	9/13 mm

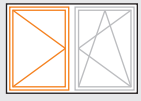


Benefits for fabricators:

- considerably lower material offcut
- tangible time and cost savings in production process
- position of striker plates identical in first and secondary sash (working with a jig)

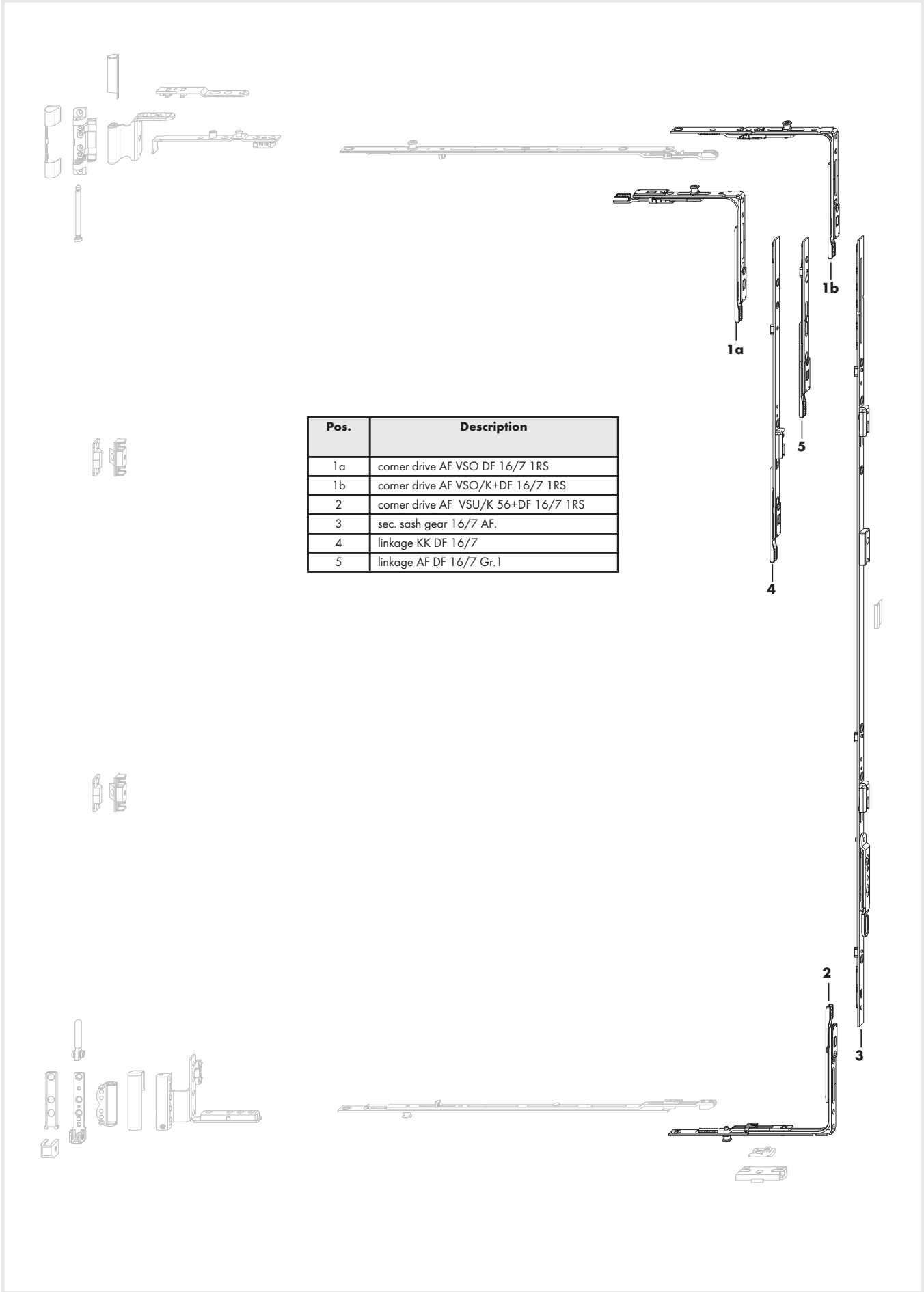
Benefits for end customers:

- extra small frame widths
- larger glazed areas (more natural light)
- when the first sash is closed, the secondary sash is automatically closed
- intruder resistance to RC2





Hardware layout Secondary sash 16/7

TITAN AF



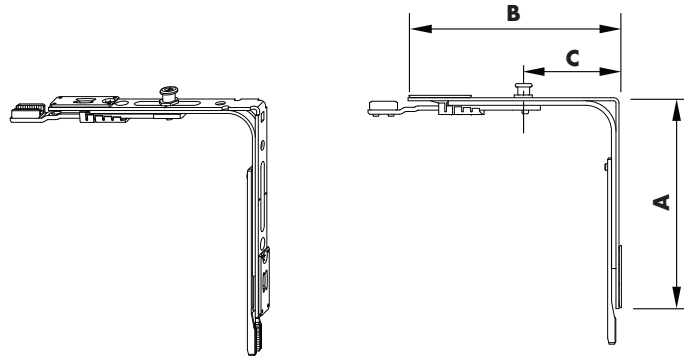


Technical information

Part number	Description	Dimensions (mm)				
		A	B	C		
TEUL4170-...	corn.drive AF VSO DF 16/7 1RS	140	140	63	1	4



- For narrow secondary sash profiles with 7mm fitting groove
- Use in slave sashes with opposing fitting groove
- The range of application conforms to the connecting components



Sales information

Description	Part number	Surface	Colour	Box quantity
corn.drive AF VSO DF 16/7 1RS	TEUL4170-10001_	Titan Silver	without	1 pc
	TEUL4170-10005_	Titan Silver	without	50 pcs

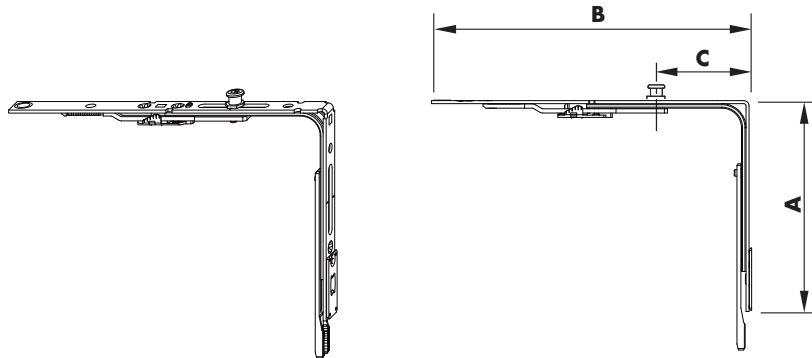


Technical information

Part number	Description	Dimensions (mm)				
		A	B	C		
TEUL4180...	corn.drive AFVSO/K+ DF 16/71RS	140	210	63	1	5



- For narrow secondary sash profiles with 7mm fitting groove
- Coupling location to slide underneath
- Use in slave sashes with opposing fitting groove
- The range of application conforms to the connecting components



Sales information

Description	Part number	Surface	Colour	Box quantity
corn.drive AFVSO/K+ DF 16/71RS	TEUL4180-10001_	Titan Silver	without	1 pc
	TEUL4180-10005_	Titan Silver	without	50 pcs

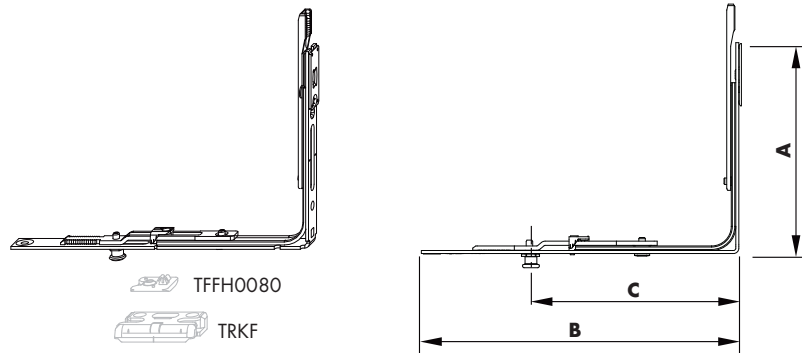


Technical information

Part number	Description	Dimensions (mm)				
		A	B	C		
TEUL5180...	corn.drive AFVSU/K56+DF16/71RS	140	210	139	1	4



- For narrow secondary sash profiles with 7mm fitting groove
- Use in slave sashes with opposing fitting groove
- Tilt lock bearing 56 S(L)-RS profile-related, refer to PDB line item TRKF
- The range of application conforms to the connecting components



Sales information

Description	Part number	Surface	Colour	Box quantity
corn.drive AFVSU/K56+DF16/71RS	TEUL5180-10001_	Titan Silver	without	1 pc
	TEUL5180-10005_	Titan Silver	without	50 pcs

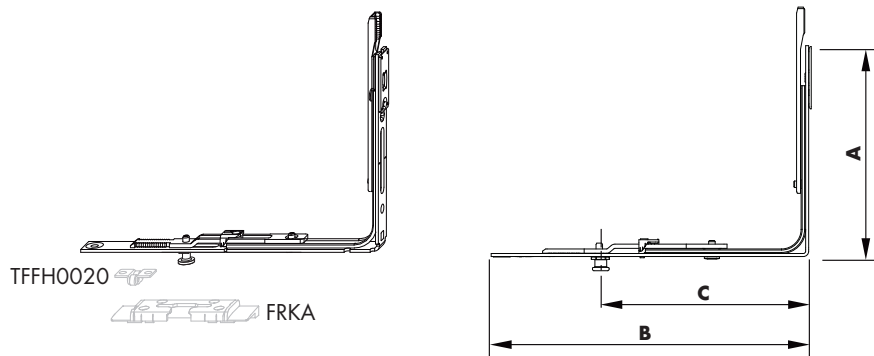


Technical information

Part number	Description	Dimensions (mm)				
		A	B	C		
TEUL5260-...	corn.drive AFVSU/K56+DF16/7 1S	140	210	139	1	4



- For narrow secondary sash profiles with 7mm fitting groove
- Use in slave sashes with opposing fitting groove
- Tilt lock bearing S-ES (SL-S) FH profile-related, refer to PDB line item FRKA (FRKJ)
- The range of application conforms to the connecting components



Sales information

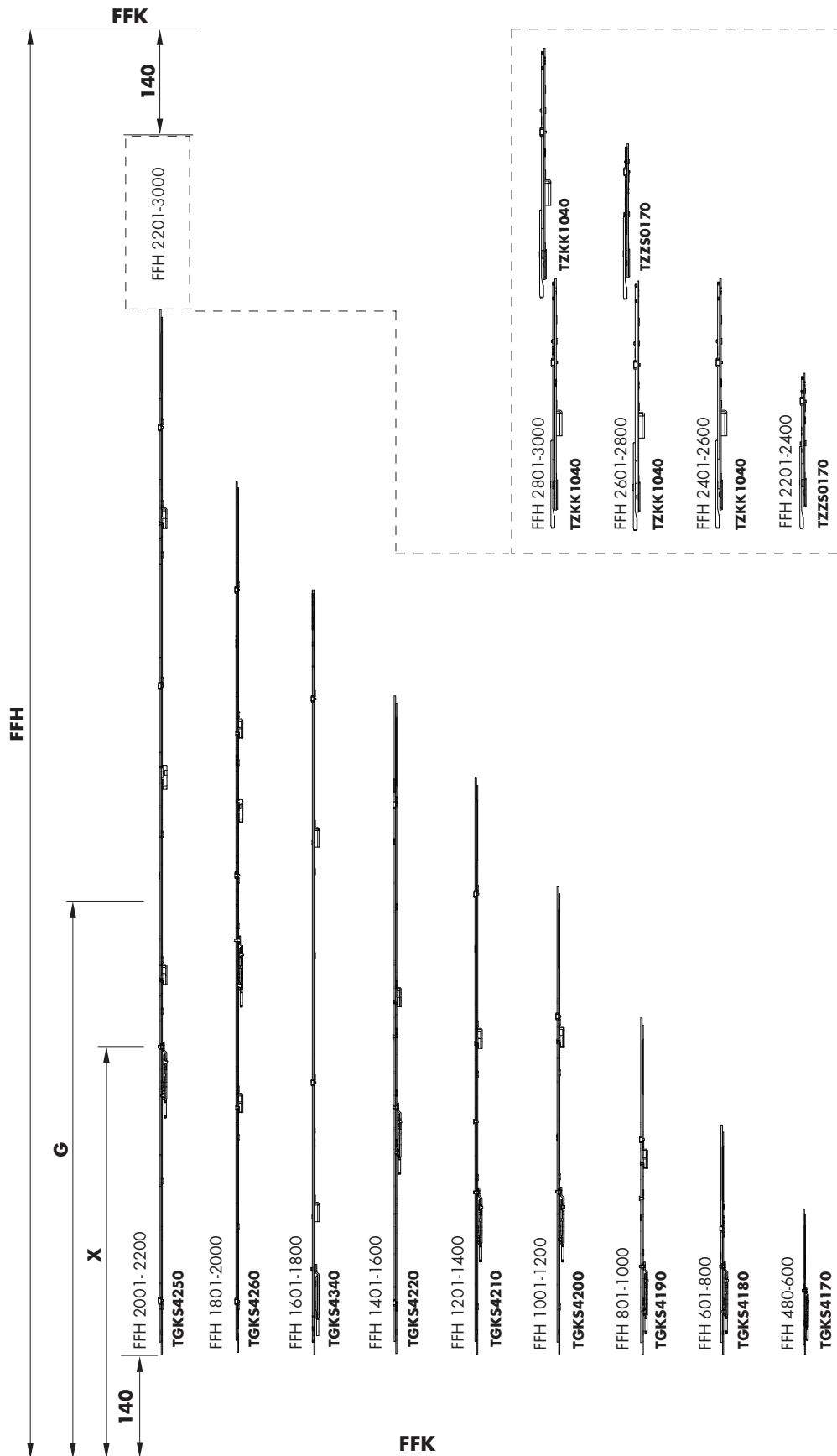
Description	Part number	Surface	Colour	Box quantity
corn.drive AFVSU/K56+DF16/7 1S	TEUL5260-10001_	Titan Silver	without	1 pc
	TEUL5260-10005_	Titan Silver	without	50 pcs



Application matrix for secondary sash gear 16/7 AF

Handle height constant

TITAN AF





Application matrix for secondary sash gear 16/7 AF

Handle height constant

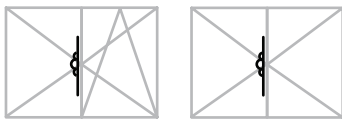
TITAN AF

Material number	Description	Material number	Description	FFH (mm)	X (mm)	G (mm) In the main sash
TGKS4170	sec. sash gear 16/7 AF sz 30			480 - 600	299	180
TGKS4180	sec. sash gear 16/7 AF sz 60			601 - 800	305	300
TGKS4190	sec. sash gear 16/7 AF sz 80 1SB			801 - 1000	305	300
TGKS4200	sec. sash gear 16/7 AF sz 100 1SB			1001 - 1200	430	400
TGKS4210	sec. sash gear 16/7 AF sz 120 1SB			1201 - 1400	430	500
TGKS4220	sec. sash gear 16/7 AF sz 140 1SB			1401 - 1600	600	600
TGKS4340	sec. sash gear 16/7 AF sz 160 2SB 70			1601 - 1800	300	700
TGKS4260	sec. sash gear 16/7 AF sz 180 2SB 70			1801 - 2000	910	1000
TGKS4250	sec. sash gear 16/7 AF sz 200 2SB			2001 - 2200	680	1000
TGKS4250	sec. sash gear 16/7 AF sz 200 2SB	TZZS0170	linkage AF DF 16/7	2201 - 2400	680	1000
TGKS4250	sec. sash gear 16/7 AF sz 200 2SB	TZKK1040	linkage KK/AF 16/7 sz 2 1SB	2401 - 2600	680	1000
TGKS4250	sec. sash gear 16/7 AF sz 200 2SB	TZKK1040	linkage KK/AF 16/7 sz 2 1SB	2601 - 2800	680	1000
		TZZS0170	linkage AF DF 16/7			
TGKS4250	sec. sash gear 16/7 AF sz 200 2SB	TZKK1040	linkage KK/AF 16/7 sz 2 1SB	2801 - 3000	680	1000
		TZKK1040	linkage KK/AF 16/7 sz 2 1SB			

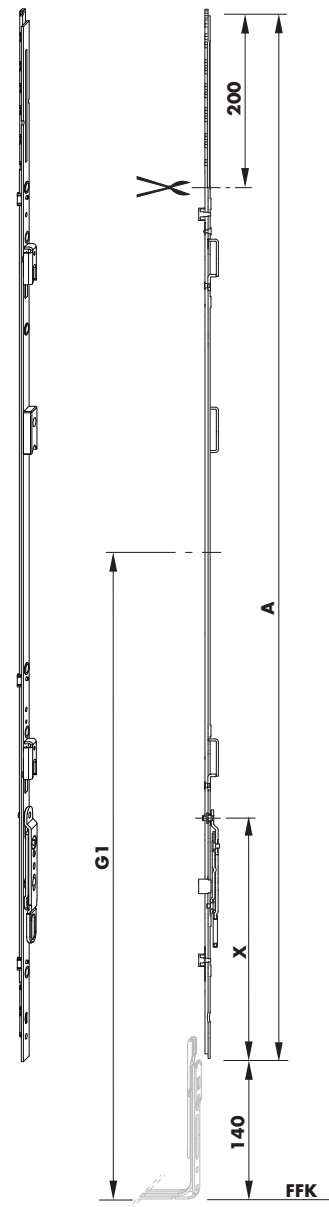


Technical information

Part number	Description	FFH	Dimensions (mm)				
			G1	A	X		
TGKS4170...	sec.sash gear 16/7 AF sz 30	480 - 600	180	420	159	0	1
TGKS4180...	sec.sash gear 16/7 AF sz 60	601 - 800	300	520	165	0	2
TGKS4190...	sec.sash gear 16/7 AF 80 1SB	801 - 1000	300	720	165	0	3
TGKS4200...	sec.sash gear 16/7 AF 100 1SB	1001 - 1200	400	920	290	0	4
TGKS4210...	sec.sash gear 16/7 AF 120 1SB	1201 - 1400	500	1120	290	0	5
TGKS4220...	sec.sash gear 16/7 AF 140 1SB	1401 - 1600	600	1320	460	0	6
TGKS4340...	sec.sash gear 16/7 AF 160 2SB 70	1601 - 1800	700	1520	160	0	8
TGKS4260...	sec.sash gear 16/7 AF 180 2SB 70	1801 - 2000	1000	1720	770	0	11
TGKS4250...	sec.sash gear 16/7 AF 200 2SB	2001 - 2200	1000	1920	540	0	11



- For narrow secondary sash profiles with 7mm fitting groove
- Handle height constant
- G1 in the main sash
- Use in slave sashes with opposing fitting groove
- Striker plate with locking slider
- Striker latch pre-assembled for gears sz 180 and 200





sec. sash gear 16/7 GK

TITAN AF

Sales information

Description	Part number	Surface	Colour	Box quantity
sec.sash gear 16/7 AF sz 30	TGKS4170-10001_	Titan Silver	without	1 pc
	TGKS4170-10004_	Titan Silver	without	25 pcs
sec.sash gear 16/7 AF sz 60	TGKS4180-10001_	Titan Silver	without	1 pc
	TGKS4180-10004_	Titan Silver	without	25 pcs
sec.sash gear 16/7 AF 80 1SB	TGKS4190-10001_	Titan Silver	without	1 pc
	TGKS4190-10004_	Titan Silver	without	25 pcs
sec.sash gear 16/7 AF 100 1SB	TGKS4200-10001_	Titan Silver	without	1 pc
	TGKS4200-10004_	Titan Silver	without	25 pcs
sec.sash gear 16/7 AF 120 1SB	TGKS4210-10001_	Titan Silver	without	1 pc
	TGKS4210-10004_	Titan Silver	without	25 pcs
sec.sash gear 16/7 AF 140 1SB	TGKS4220-10001_	Titan Silver	without	1 pc
	TGKS4220-10004_	Titan Silver	without	25 pcs
sec.sash gear 16/7 AF 160 2SB 70	TGKS4340-10001_	Titan Silver	without	1 pc
	TGKS4340-10004_	Titan Silver	without	25 pcs
sec.sash gear 16/7 AF 180 2SB 70	TGKS4260-10001_	Titan Silver	without	1 pc
	TGKS4260-10002_	Titan Silver	without	10 pcs
sec.sash gear 16/7 AF 200 2SB	TGKS4250-10001_	Titan Silver	without	1 pc
	TGKS4250-10002_	Titan Silver	without	10 pcs

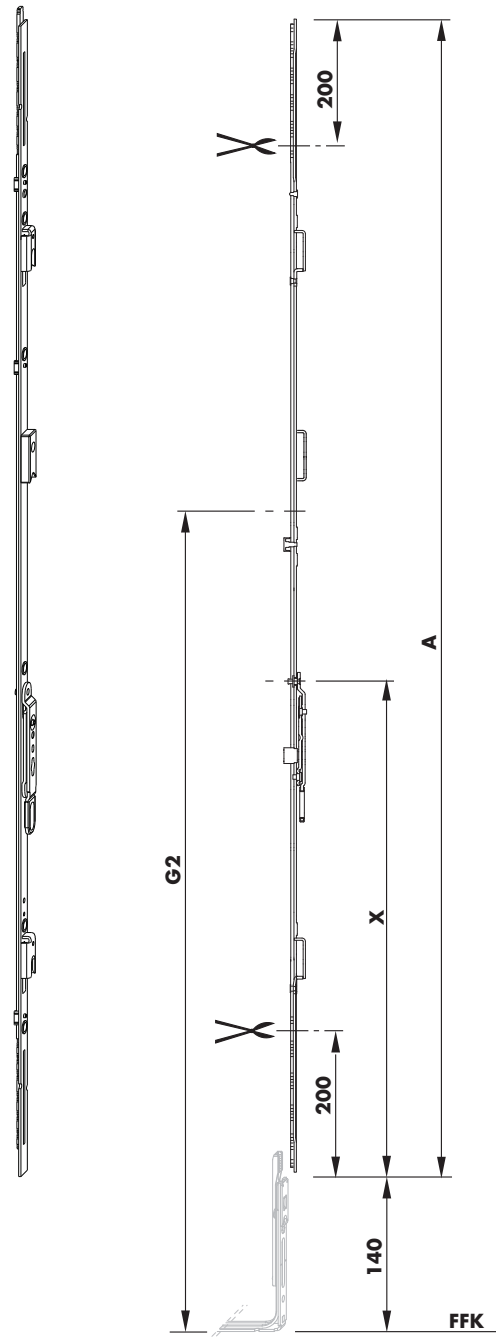


Technical information

Part number	Description	FFH	Dimensions (mm)				
			G2	A	X		
TGMS4140...	sec.sash gear 16/7 AF 160 2SB 70	1601 - 2000	800 - 1000	1720	710	0	8
TGMS4110...	sec.sash gear 16/7 AF 200 2SB	2001 - 2400	1000 - 1200	2120	910	0	10



- For narrow secondary sash profiles with 7mm fitting groove
- Handle height centre/variable
- G2 in the main sash
- Use in slave sashes with opposing fitting groove
- Striker plate with locking slider
- Striker latch pre-assembled for gears sz 160 and 200







sec. sash gear 16/7 GM

TITAN AF

Sales information

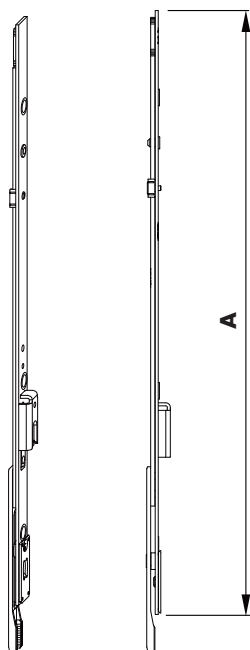
Description	Part number	Surface	Colour	Box quantity
sec.sash gear 16/7 AF 160 2SB 70	TGMS4140-10001_	Titan Silver	without	1 pc
	TGMS4140-10002_	Titan Silver	without	10 pcs
sec.sash gear 16/7 AF 200 2SB	TGMS4110-10001_	Titan Silver	without	1 pc
	TGMS4110-10002_	Titan Silver	without	10 pcs

**Technical information**

Part number	Description	Dimensions (mm)			
		A			
TZKK1030...	linkage AF 16/7 sz 1 1SB	200		1	2
TZKK1040...	linkage AF 16/7 sz 2 1SB	400		1	3





- For narrow secondary sash profiles with 7mm fitting groove
- Use in slave sashes with opposing fitting groove
- The range of application conforms to the connecting components

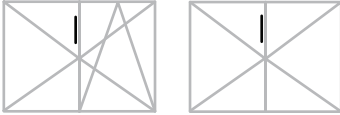
**Sales information**

Description	Part number	Surface	Colour	Box quantity
linkage AF 16/7 sz 1 1SB	TZKK1030-10001_	Titan Silver	without	1 pc
	TZKK1030-10004_	Titan Silver	without	25 pcs
linkage AF 16/7 sz 2 1SB	TZKK1040-10001_	Titan Silver	without	1 pc
	TZKK1040-10004_	Titan Silver	without	25 pcs

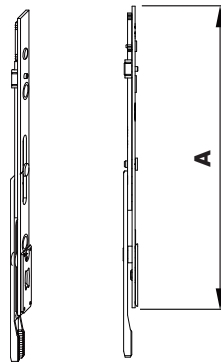


Technical information

Part number	Description	Dimensions (mm) A		
TZZS0170-...	linkage AF DF 16/7 sz 1	200	0	2



- For narrow secondary sash profiles with 7mm fitting groove
- Use in slave sashes with opposing fitting groove
- The range of application conforms to the connecting components



Sales information

Description	Part number	Surface	Colour	Box quantity
linkage AF DF 16/7 sz 1	TZZS0170-10001_	Titan Silver	without	1 pc
	TZZS0170-10004_	Titan Silver	without	25 pcs

SIEGENIA®
brings spaces to life

Head Office:
Industriestraße 1–3
57234 Wilnsdorf
GERMANY

Phone: +49 271 3931-0
Telefax: +49 271 3931-333
info@siegenia.com
www.siegenia.com



You can find address details for our
international sites at: www.siegenia.com

SIEGENIA worldwide:

Austria Phone: +43 6225 8301

Belarus Phone: +375 17 3143988

Benelux Phone: +31 85 4861080

China Phone: +86 316 5998198

France Phone: +33 3 89618131

Germany Phone: +49 271 39310

Great Britain Phone: +44 2476 622000

Hungary Phone: +36 76 500810

Italy Phone: +39 02 9353601

Poland Phone: +48 77 4477700

Russia Phone: +7 495 7211762

South Korea Phone: +82 31 7985590

Switzerland Phone: +41 33 3461010

Turkey Phone: +90 216 5934151

Ukraine Phone: +380 44 4637979

Contact your dealer: