

TITAN

Care and operating instructions:
TITAN AF, TITAN iP, FAVORIT.

Window systems

Door systems

Comfort systems

Table of Contents

Safety Notices 2

Directions for Use

Turn and Tilt 3
Rectifying Operating Problems 4
Tilt Before Turn (TBT) 5
Tilt 6-7
Turn and Tilt Comfort 8

Maintenance

Cleaning 9
Inspection and Lubrication 10
Lubrication Points 11

Feedback on documentation

We are always happy to receive comments and suggestions for the improvement of our documentation. Please e-mail us your comments to [,dokumentation@siegenia.com](mailto:dokumentation@siegenia.com)’.

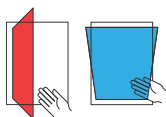
Safety Instructions

- Always observe the safety instructions when carrying out work to windows/doors!
- Keep children and people who cannot estimate the dangers away from the point of danger!
- Avoid spilling lubricants onto the floor or leave tools unattended in the working area!



Risk of injury from falling through open windows

- Always use stable step ladders.
- Protect yourself against falling out of windows.
- Do not steady yourself or hold on to the opened sash.



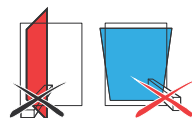
Danger of injury through trapping of body parts

- Never reach into the opening between the sash and the outer frame when closing windows/doors.



Risk of injury or damage from pressing the sash against the reveal

- Do not press the sash against the window reveal.



Risk of injury from trapping parts of the body between the sash and the frame

- Do not insert obstructions into the opening between sash and frame.



Risk of injury and material damage from overloading the sash

- Do not overload the sash.



Risk of injury from the effect of wind

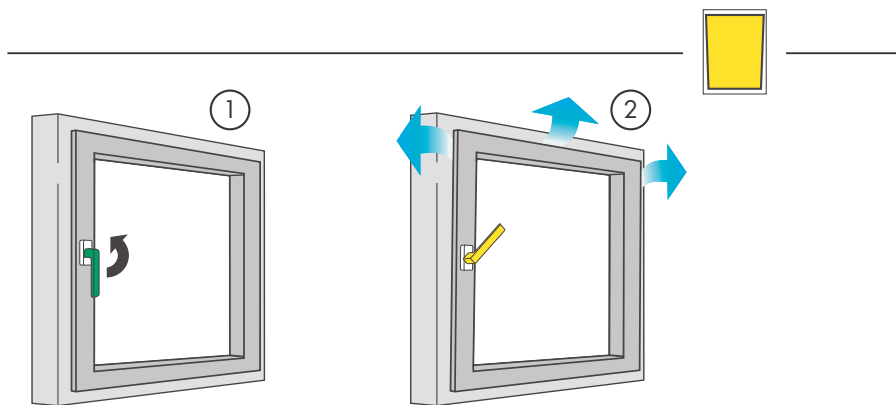
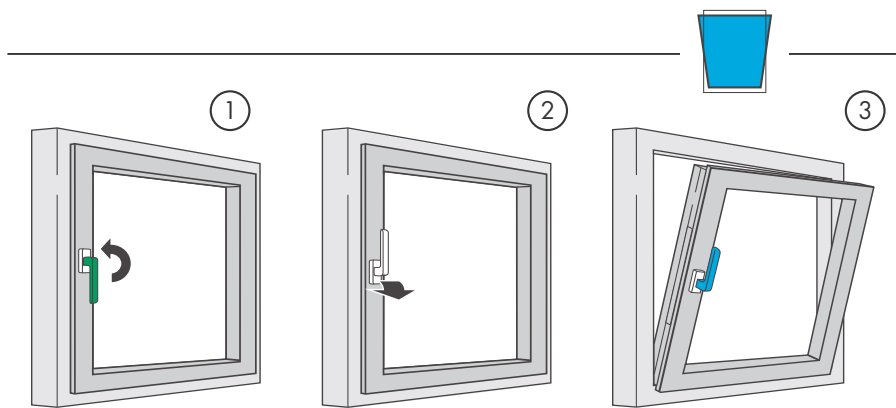
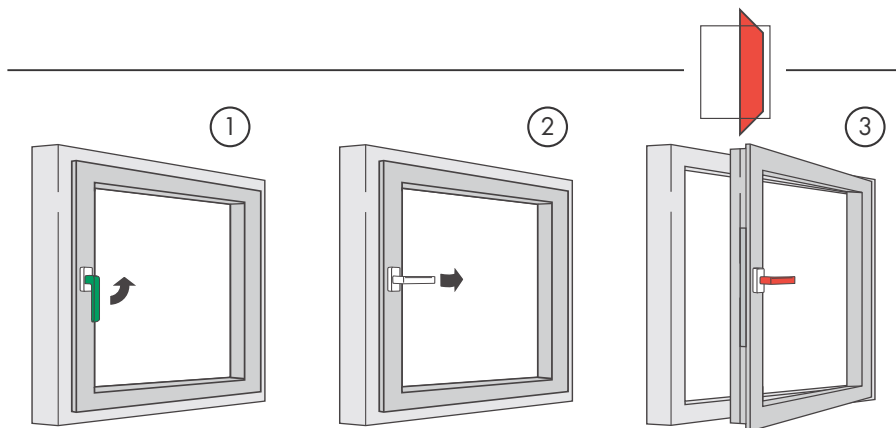
- Prevent wind from acting on the open sash.
- During wind/drafts, close and lock windows.

⚠ WARNING

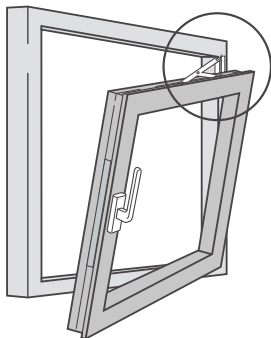
Operational malfunction of the window components may result in injury!

- ▶ Do not continue to use the window once an operational malfunction has been identified.
- ▶ Secure the window and instruct a **specialist company** to carry out the repairs.

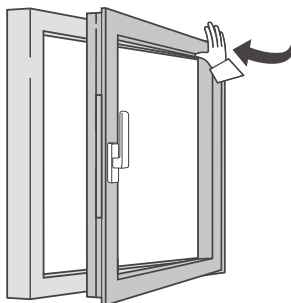
Directions for Use - Turn and Tilt



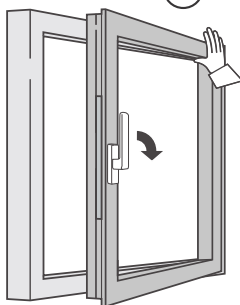
Rectifying Operating Problems



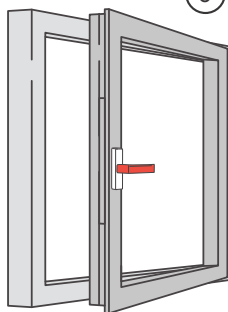
1



2



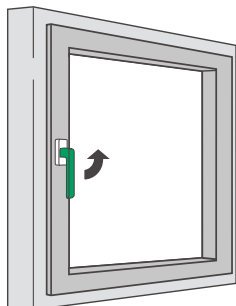
3



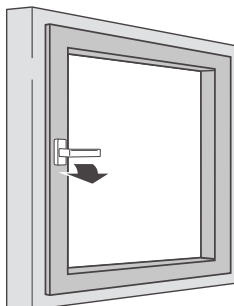
Directions for Use - Tilt Before Turn (TBT)



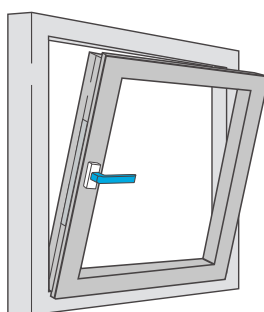
①



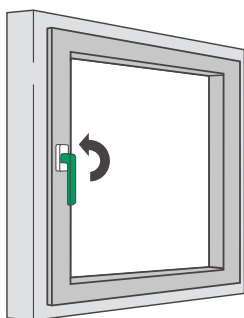
②



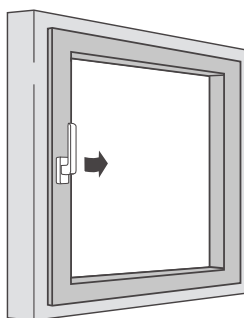
③



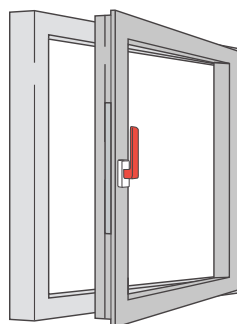
①



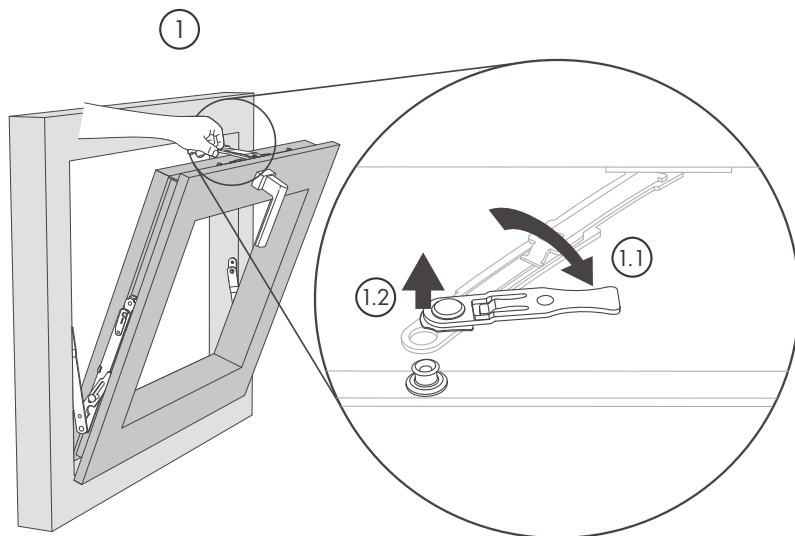
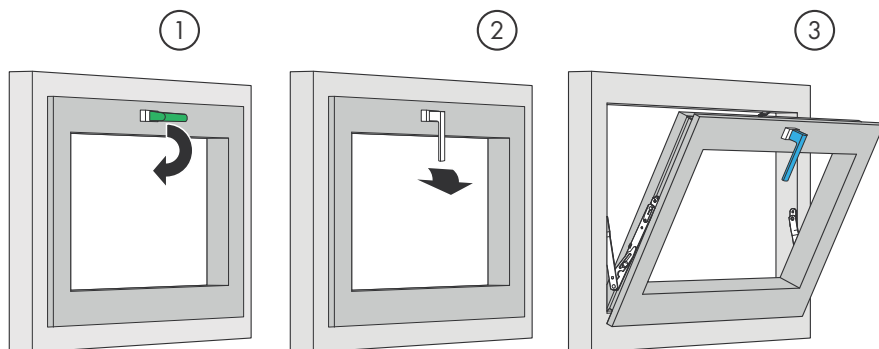
②



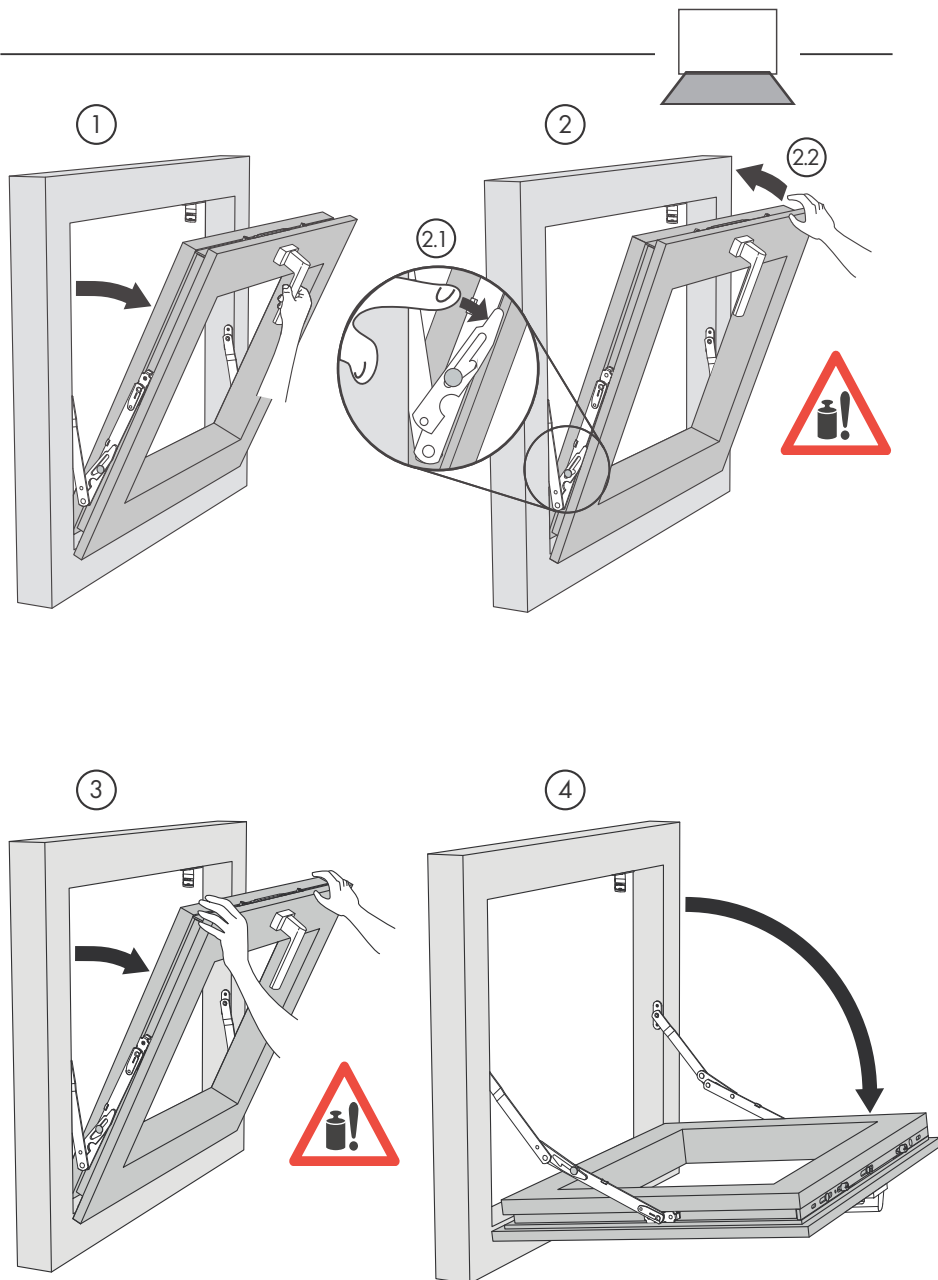
③



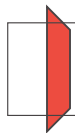
Directions for Use - Tilt



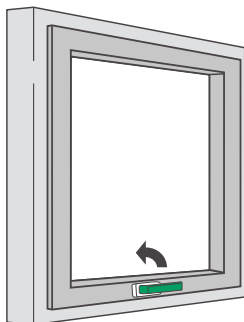
Directions for Use - Tilt



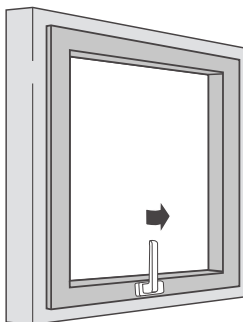
Directions for Use - Turn and Tilt Comfort



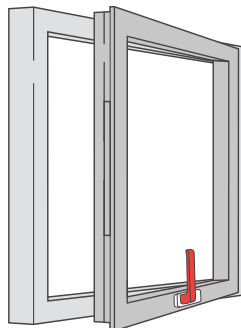
①



②



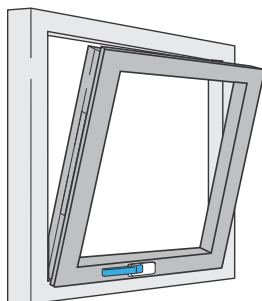
③



①



②



Maintenance - Cleaning

Your windows and portal doors have high-grade SIEGENIA fittings. To ensure that they remain in good working condition we recommend that you inspect and maintain your windows/doors as described below at regular intervals (at least once a year or more often for school and hotel buildings).

Cleaning and preserving surfaces

- When treating surfaces (painting or glazing your windows/doors), remove all fittings and protect them from stains and spills.
- Remove any stains or spills immediately because they could damage the surface protection of the fittings.
- Use only mild, pH-neutral, diluted cleaning agents. Never use sharp objects, abrasive agents or aggressive cleaning agents (such as vinegar or acidic cleaning agents) as they could damage the corrosion protection of the fittings.
- When cleaning, ensure that no water runs into the fittings.
- Dry the fittings thoroughly after cleaning and oil the surface with a non-acidic and non-resinous oil by wiping them with a cloth soaked in oil.

ATTENTION: After the Titan AF-X hardware surface has dried, it must **not** be wiped with oil. Oxygen from the air has to make contact directly with the surface to maintain self-forming passive layer of the hardware. This process would be hampered by an oil film. If you have any questions regarding your installed hardware please contact your window and/or door distributor.

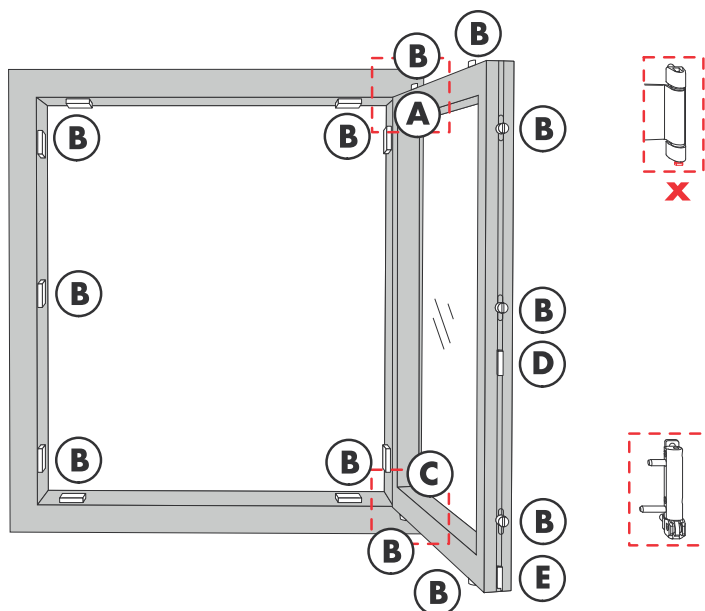
Maintenance - Inspection and Lubrication

Check that all fittings (□) are secure and check for wear.

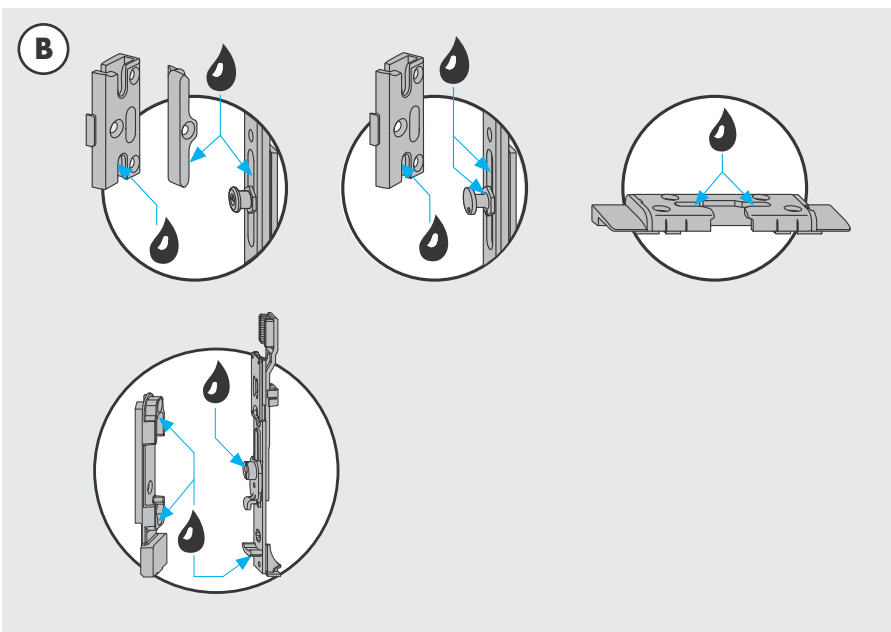
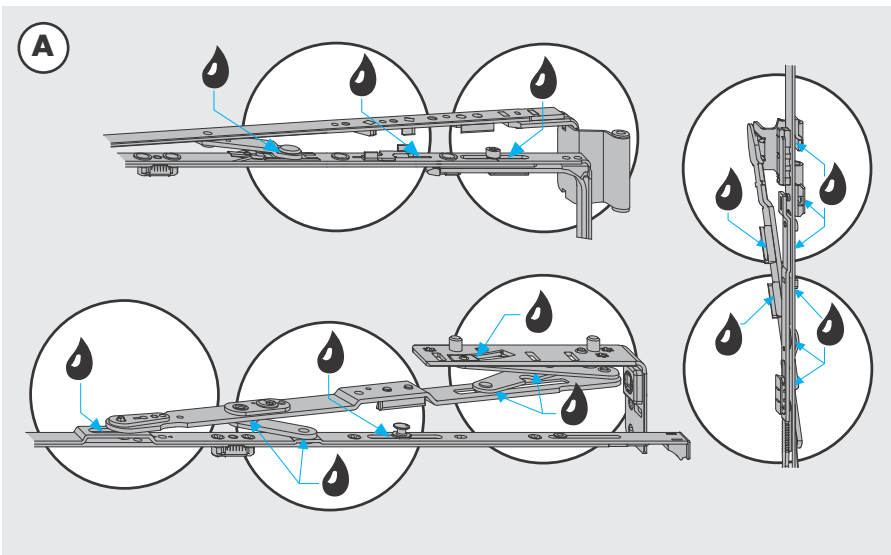
- Check that the top hinge pin (x) is pushed in up to the stop.
If it is not, slide it up to the stop manually.
- Check for loose fixing screws and check that the handle is secure.
Tighten the loose fixing screws using an appropriate tool.
Important: Do not overtighten the screws.
- Have any worn/damaged fittings or overtightened screws replaced by a specialist company.

Grease or oil all movable fittings and all locking points.

- Use only acid-free and resin-free oil or grease.
- Use a grease spray on the movable parts in the window sash and spray into all openings in the fittings. Then move the fittings into position several times until the grease is distributed. Wipe off any excess oil or grease.
- Grease the striker plates in the window frame using a firmer grease (consistency class 2 in accordance with DIN 51818) in the places where the locking cam engages with the striker plate.
Our maintenance grease is particularly suited for this. You can order it from SIEGENIA under material number ZX SX 0120-093010.

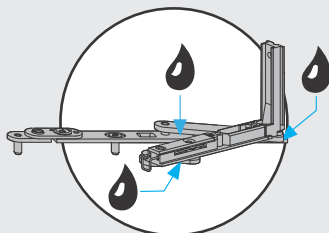
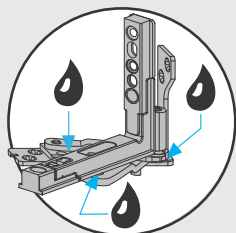
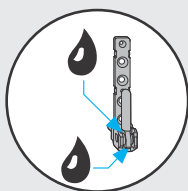


Maintenance - Lubrication Points

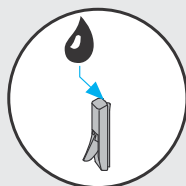


Maintenance - Lubrication Points

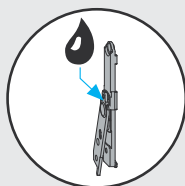
C



D



E



SIEGENIA®
brings spaces to life

Head Office:
Industriestraße 1–3
57234 Wilnsdorf
GERMANY

Phone: +49 271 3931-0
Telefax: +49 271 3931-333
info@siegenia.com
www.siegenia.com



You can find address details for our
international sites at: www.siegenia.com

SIEGENIA worldwide:

Austria Phone: +43 6225 8301
Belarus Phone: +375 17 3121168
Benelux Phone: +31 85 4861080
China Phone: +86 316 5998198
France Phone: +33 3 89618131
Germany Phone: +49 271 39310
Great Britain Phone: +44 2476 622000

Hungary Phone: +36 76 500810
Italy Phone: +39 02 9353601
Poland Phone: +48 77 4477700
Russia Phone: +7 495 7211762
South Korea Phone: +82 31 7985590
Switzerland Phone: +41 33 3461010
Turkey Phone: +90 216 5934151
Ukraine Phone: +380 44 4637979

Contact your dealer: